

SIR ARTHUR LEWIS COMMUNITY COLLEGE

DEPARTMENT OF TECHNICAL EDUCATION AND MANAGEMENT STUDIES

END OF SEMESTER EXAM - May 2013

EXAMINATION SESSION : May 2015 Final Examination

TUTOR : P. Jn Francois

PROGRAMME TITLE : Craft mathematics

PROGRAMME CODE : -----

COURSE TITLE : -----

COURSE CODE : MAT 118

CLASSES : -----

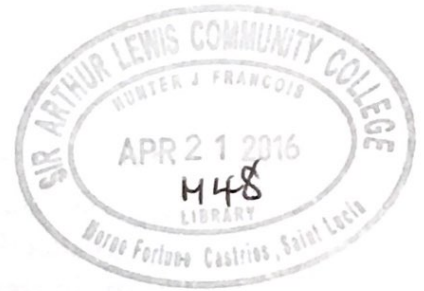
DATE : Tuesday 12th May, 2015

COMMENCEMENT TIME : 1:00 pm

DURATION : 1 1/2 hrs

INVIGILATOR (S) : M. Lashley, A. G-Reid

ROOM (S) : HOS-9R-01



INSTRUCTIONS

1. You are required to answer all questions.
2. Ensure your student ID number is clearly written on the paper
3. Ensure that your solutions are clearly written
4. DO NOT scribble on the question paper – scrap paper will be provided.

Answer all questions

1. Evaluate

(i) 5^3 (ii) 3^3 (iii) $8^{1/3}$ (iv) 3^{-3} (6 marks)

2. Using a calculator or otherwise, determine the value of:

(i) $\frac{2\frac{1}{4} + 1\frac{1}{8}}{4\frac{1}{2}}$ expressing your answer as a fraction (3 marks)

(ii) $3.96 \times 0.25 - \sqrt{0.0256}$
Express your answer
(a) exactly (4 marks)
(b) in standard form (2 marks)

3. A man, at his death, left the sum of \$25,000 for his three sons, namely, Peter, John and Paul in the ratio of 1:2: 2. Find how much each son received. (4 marks)

4. A rectangular floor measures 10 m by 8m. A piece of carpet measuring 9m by 7m is placed on the floor. Find the area of the uncovered part of the floor (3 marks)

5. A plot of land, in the shape of a trapezium, with a circular pond of radius 20 meters in the middle as shown in Fig. 1 below.

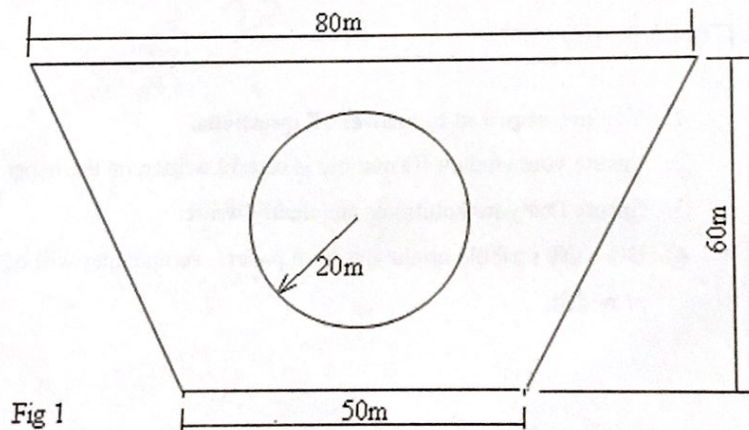
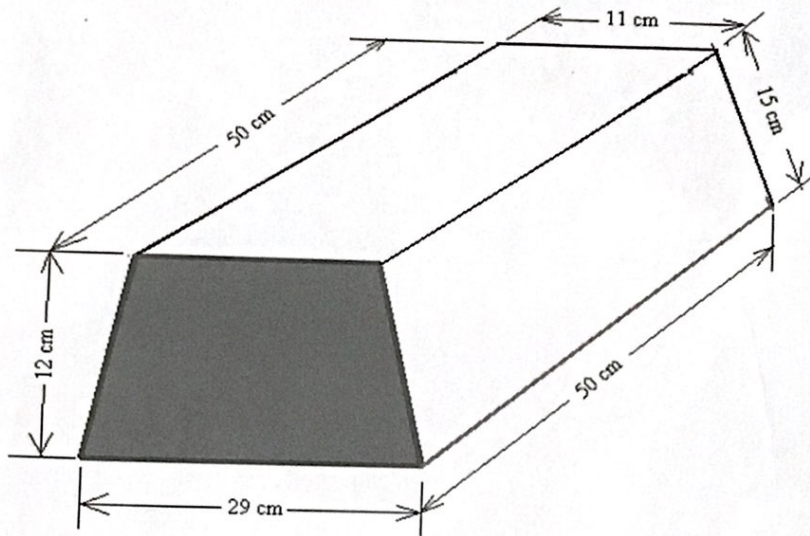


Fig 1

Find

- i. the area of the entire plot of land (2 marks)
- ii. the area of the pond (2 marks)
- iii. the area of the land surrounding the pond (2 mark)

6. Find (i) volume (4 marks)
(ii) Surface area of the shape below (7 marks)



Formulas for areas

Circle r^2 Use as 3.142

Trapezium $(\text{---} \times H$

END OF EXAMINATION!

(TOTAL 40 marks)