

SIR ARTHUR LEWIS COMMUNITY COLLEGE
DIVISION OF AGRICULTURE
COURSE SMALL STOCK PRODUCTION – AGR104

May 2006

Answer question one and any three others

Time 2 1/2 Hrs

Question 1 (40 marks)



- (a) In **diagram I** identify the animals labeled “A”, “B”, and “C”
 - (b) List six Functions of the animal identified as “C”
 - (c) How long does it take for the development of “A”, “B”, and “C”?
 - (d) What determines the formation of “A”, “B”, or “C” after the egg is laid?
 - (e) What is the life span of “C”?
 - (f) In **diagram II** identify the drawings indicated by the arrows
 - (g) How would you describe this type of development?
 - (h) What material is used and which animal produces the structure labeled “D”?
 - (i) Identify the **diagram III** and name the various parts indicated by the arrows.
 - (j) What is the function of the parts labeled “E” and “G”?
 - (k) What happens in the section labeled “F”?
 - (l) What is the function of the part labeled “K”?
 - (m) Name two methods by which drones are produced?
 - (n) What is the maximum foraging range for the honey bee?
 - (o) Name three breeds of bees?
 - (p) How can a bee keeper tell that his queen is dead or has swarmed?
 - (q) What is a Laying worker and what happens to the egg if produced?
 - (r) How can you identify its presence in a hive?
 - (s) Name three Nectar producing trees
 - (t) How many crops of honey can a St. Lucian Beekeeper expect in one year?
2. (a) Define **Rumination** and name the compartments of the ruminant stomach. (5 marks)
- (b) Briefly outline the process undergone by forage in the stomach of the ruminant animal. (15 marks)
3. (a) List the major disease causing agents of livestock. (10 marks)
- (b) In which group would you place **Round Worms** (2 marks)
- (c) How can you identify an animal infested with round worms? (8 marks)
4. (a) What is the minimum size of an economic Rabbitry and why would you recommend this size unit to a young farmer with land but limited finance. (10 marks)
- (b) How many marketable animals can he expect in the first year if his average number of weaners per doe is seven? (5 marks)
- (c) How much rabbit meat can he sell in the first year of operation? (5 marks)
5. (a) Name three breeds each of Sheep Goats and Rabbits.
- (b) What is the **length of the gestation period** and the **weaning age** for Sheep, Goats and Rabbits?
- (c) How soon after weaning can these animals be rebred?
- (d) What is the dressing percentage for each group of animals?

#55

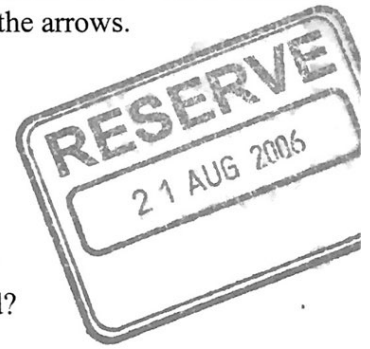




DIAGRAM I

A

B

C

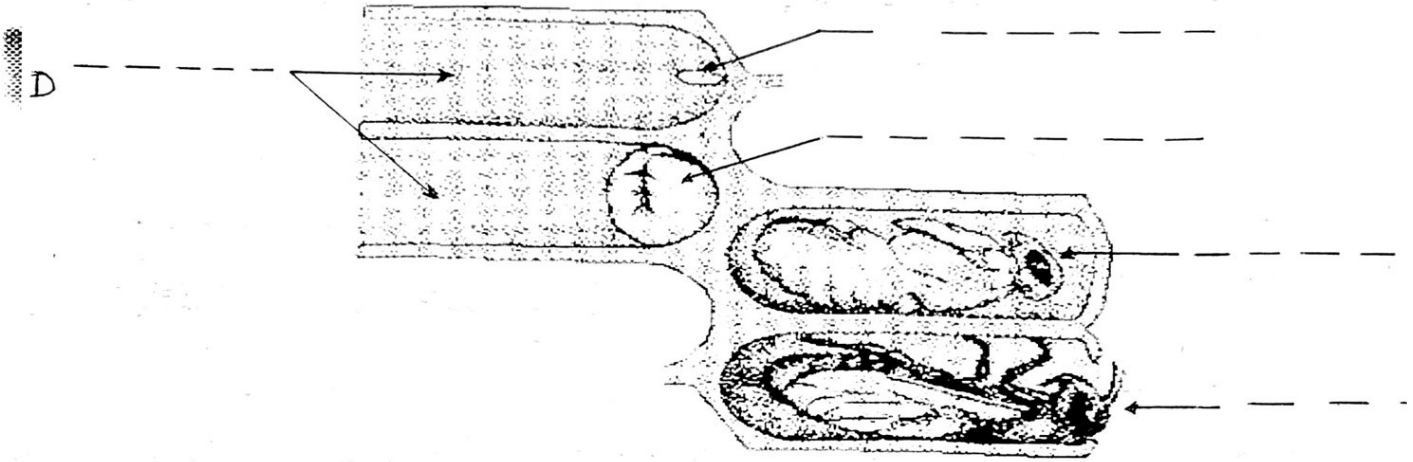


DIAGRAM II SHOWING THE

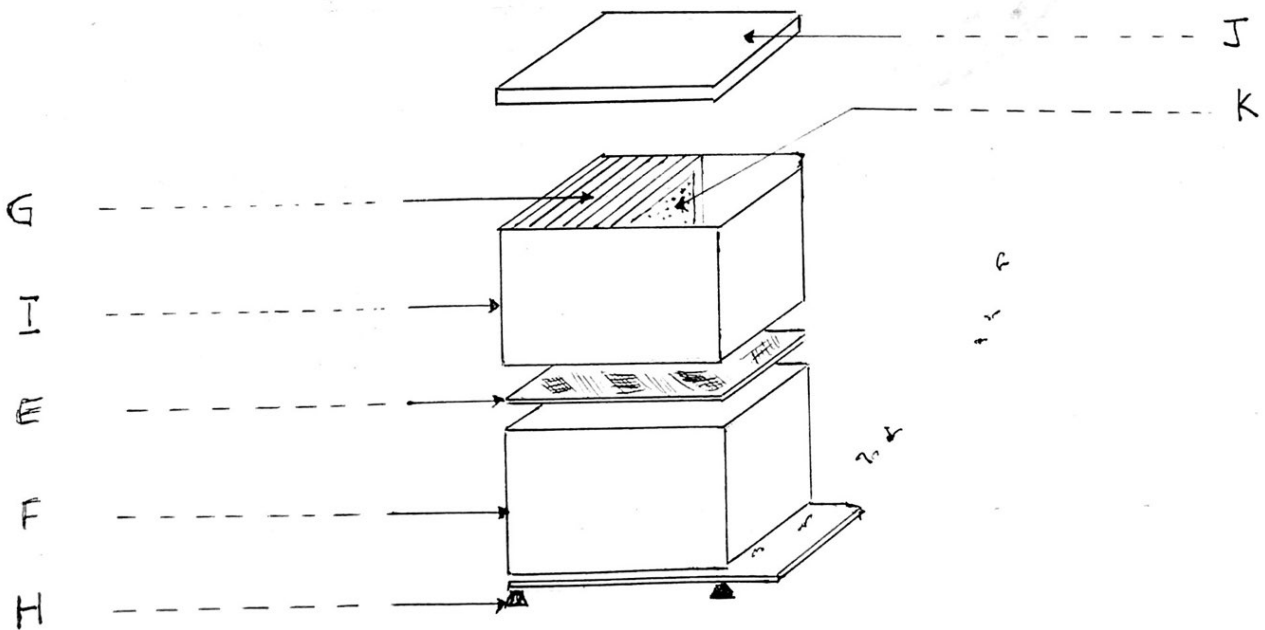


DIAGRAM III

DIA OF A